

Emergency Shut-Off Button



Description

The CGS-EPOTWWM, multipurpose push button to be used for a wide range of applications commonly used with the CGS Merlin range of gas safety systems.

The CGS-EPOTWWM is a twist re-set, wall mounted (for exposed conduit) and comes with a clear protective cover to prevent accidental activations.

Key Features

- > Protects against vandalism, accidental damage, dust and grime
- > For Indoor and outdoor use
- > Twist release re-set
- > Top and bottom of weatherproof back box threaded for 3/4" NPT conduit

General Information

- > Three year guarantee against breakage of polycarbonate in normal use (one year on electromechanical and electronic components).

Design

- > Unique, curved design helps protect against accidental activation.

Construction

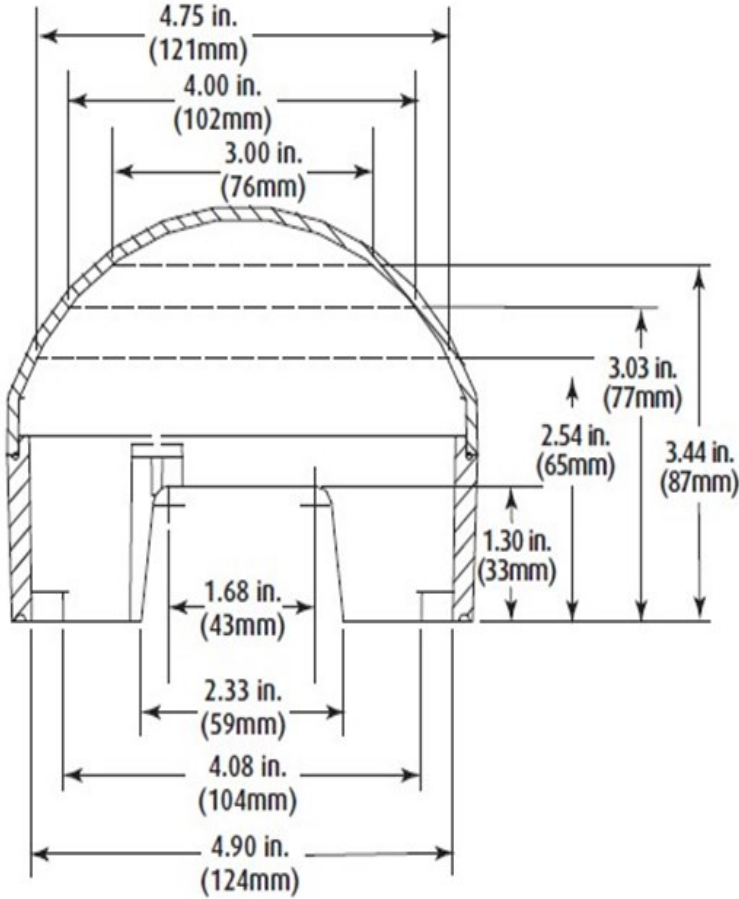
- > Station housing moulded of tough polycarbonate.
- > UL Listed to U.S. and Canadian safety standards.

Installation

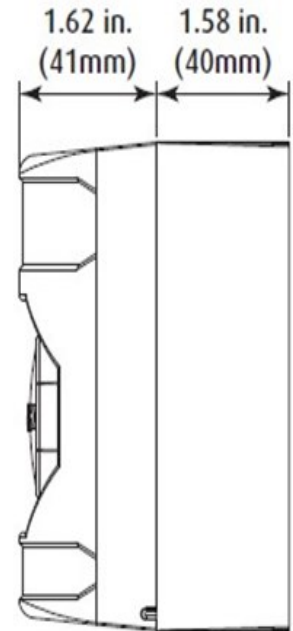
- > 5VA flammability rating on back plate and spacer.
- > Typical working properties of polycarbonate are -40° to 250°F (-40° to 121°C).
- > Polycarbonate complies with FDA regulations for food contact applications.



Emergency Shut-Off Button



END VIEW



MODELS
WITH BACK BOX

Important Notice

The CGS-EPOTWWM is intended to be used in areas where the incidence of false alarms from manual pull stations is high or has proven to be a serious problem. Any disadvantage of this device is more than balanced when one considers the consequences of false alarms, especially if fire service personnel and equipment are responding to a false fire alarm when they are needed for a real fire somewhere else. Addition to this, the disruption to the facility when false alarms occur. If you have, or may have, a problem with false fire alarms or physical/weather damage to your fire alarm activation devices, the CGS-EPOTWWM could prove invaluable.



info@canadiangassafety.com



www.canadiangassafety.com



647-577-1500