

# CGSEPOFMCOVER

## Datasheet

Flush Mount EPO Cover with  
 Back Plate for Indoor / Outdoor  
 Use



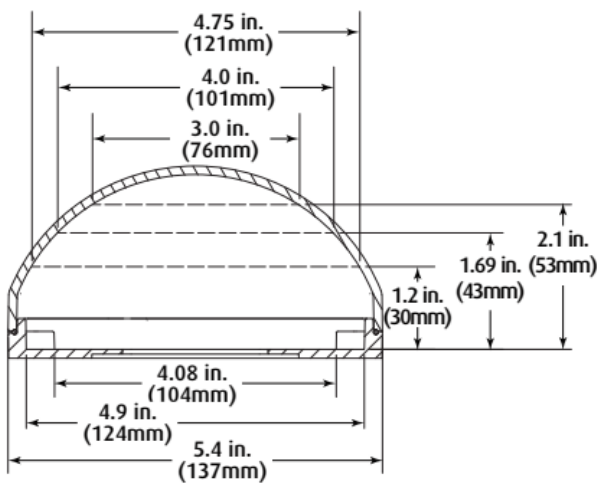
5.4 (W) x 8.15 (H) x 2.8" (D)

### Product Overview

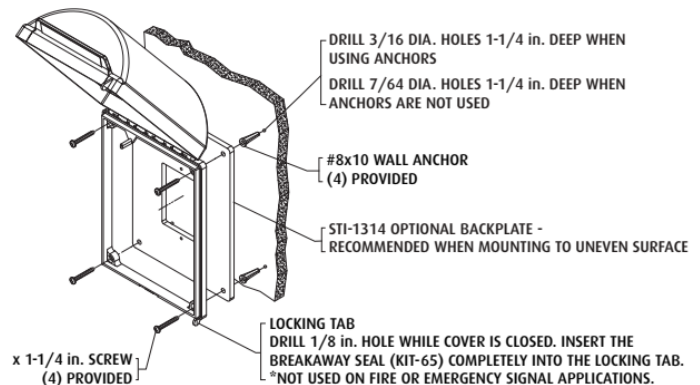
These indoor/outdoor low profile or dome polycarbonate covers protect devices such as dual action pull stations, keypads for entry systems, intercom stations, emergency buttons, electrical light switches, duplex plugs, etc., without restricting legitimate operation.

### Warranty

Three year guarantee against breakage of polycarbonate in normal use (one year on electro mechanical and electrical components).



END VIEW



Find out more  
**Canadian Gas Safety Inc**  
[www.canadiangassafety.com](http://www.canadiangassafety.com)

Head office: 150 King Street West Suite 200,  
 Toronto, ON M5H 1J9  
 Tel: (647) 577-1500  
 Email: [info@canadiangassafety.com](mailto:info@canadiangassafety.com)

