

FIRE HOUSE KITCHEN CONTROL / OUTDOOR GRILL

CANADIAN GAS SAFETY FIREHOUSE CONTROL / SAFETY SOLUTION GUIDE

The Merlin range of control panels offer a perfect control solution for firehouse protection.

On / off keyed authority over the gas supply to the kitchen range, fire call annunciation signal shuts down gas supply requiring on / off reset. Fire alarm and remote panic button also de-energizes gas supply to kitchen and requires on / off reset.

Locate panel in the kitchen area, accessible to employees and end users. Locate remote panic buttons at alternative egress points. Locate solenoid as per drawings. Solenoid valves are UL listed, 110-120vac normally closed safety shut off type.

Additional services such as electric power to kitchen range, electrical power to kitchen receptacles and outdoor gas fired grills can all be controlled by a single controller via electrical contactors or additional solenoids.

Please contact CGS for more additional design solutions.

Each Merlin panel also comes with a built in time-out function which can be utilized to shut off the kitchen after 2, 4 or 8hours, or it can be disabled.

Each panel provides an advisory output signal for F.A.C.P. or BAS/BMS systems.

Materials List.

- Merlin 1000Si Single Output Control Panel
- Merlin 1000S+i Dual Output Control Panel
- Merlin 500S Single Output Remote Control Unit

- Optional combustible Gas Detector CGSNGTTF
- Optional Carbon Monoxide Detector (CO) CGSCOTTF

- CGSFMK - Flush Mount Kit 1000 range
- CGSFMK500 - Flush Mount Kit 500 range

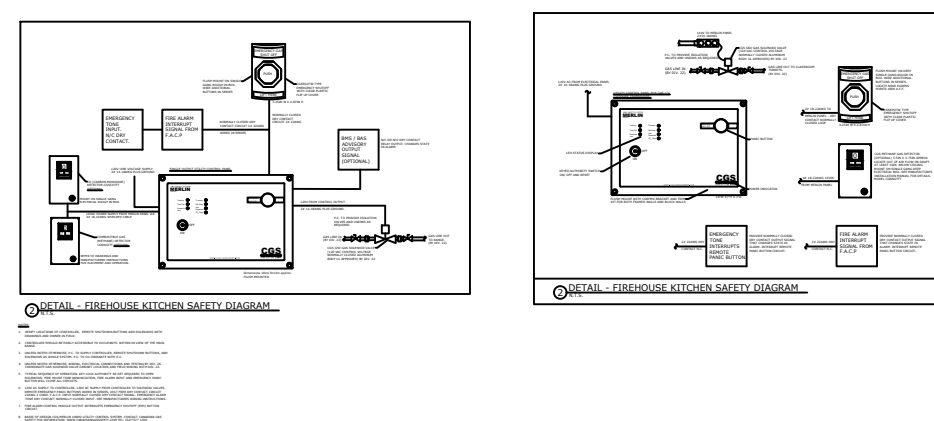
- CGSEPOTW - Remote Emergency Shut Off Button
- CGSEPOTWWM - Remote Weather Proof Outdoor Emergency Shut Off Button

- Gas Valve - 120vac Normally Closed 0-2PSI - Size Specific
- GSV12 1/2"
- GSV34 3/4"
- GSV1 1"
- GSV114 1+1/4"
- GSV112 1+1/2"
- GSV2 2"
- GSV212 2+1/2"
- GSV3 3"

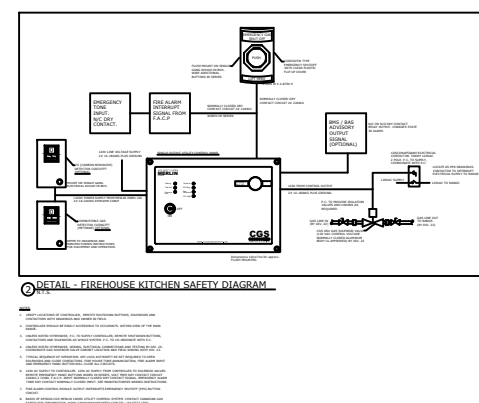
- Electrical Control
- CGSCON4P20ANO - Electrical Contactor - 4pole 20amp 120vac
- CGSCON4P50ANO - Electrical Contactor - 4pole 50amp 120vac

- CGSCONENC10104 - Electrical Contactor Enclosure 10x10x4in

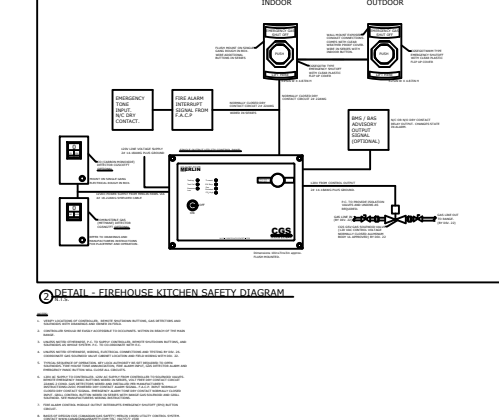
KITCHEN RANGE GAS ONLY



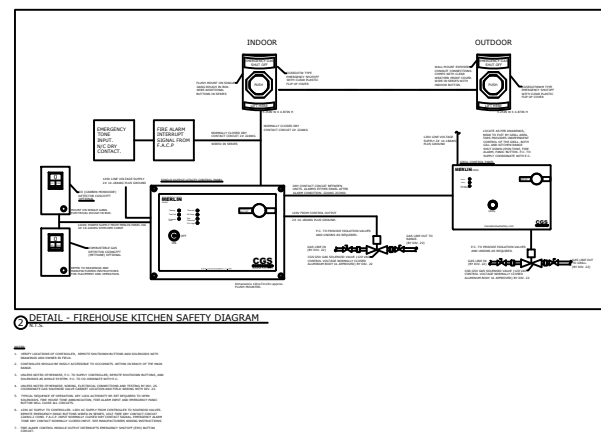
KITCHEN RANGE GAS AND RANGE ELECTRICS



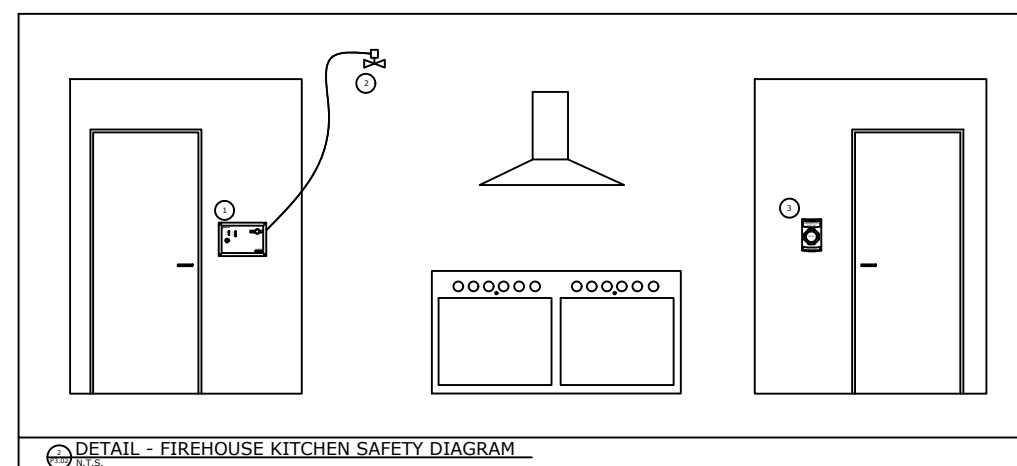
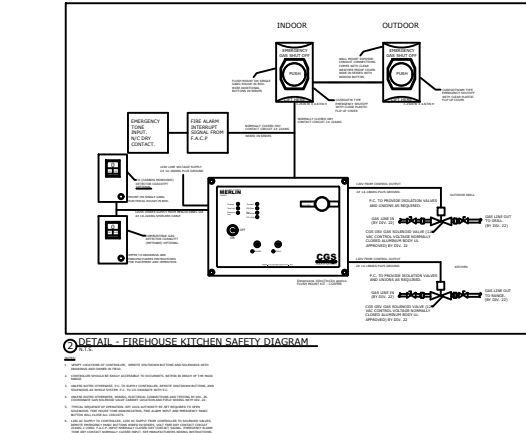
KITCHEN RANGE GAS, OUTDOOR GRILL PANIC SHUT OFF ONLY



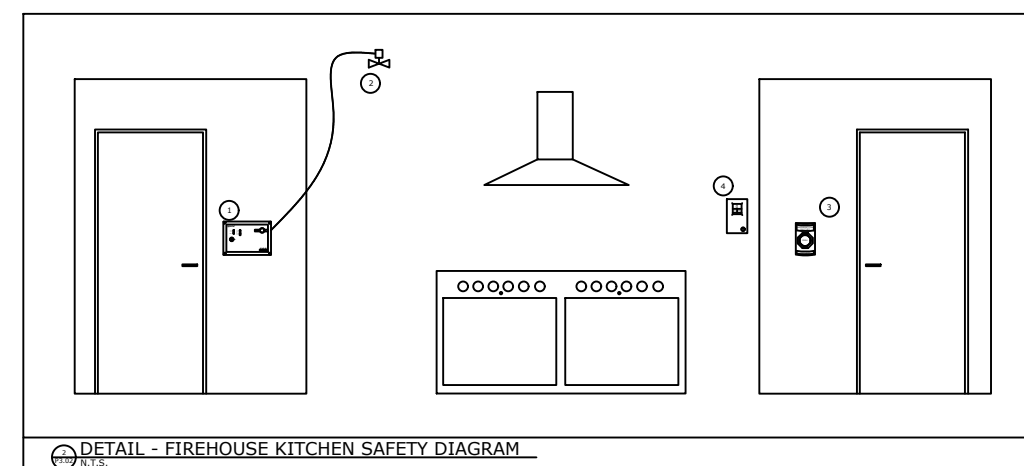
KITCHEN RANGE GAS, OUTDOOR GRILL INDEPENDENT CONTROL, INTEGRATED SHUT-OFF



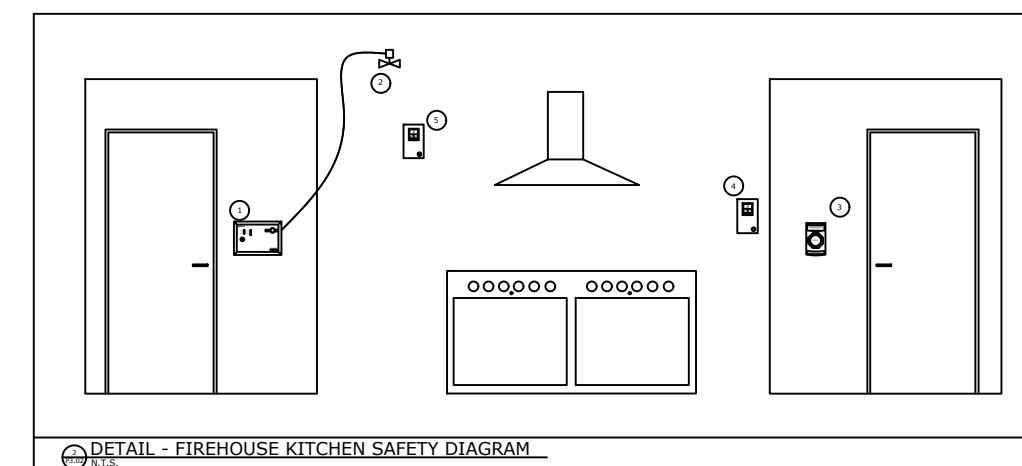
INDEPENDENT CONTROL OF TWO GAS SUPPLIES, CONTROLLER CENTRALLY LOCATED



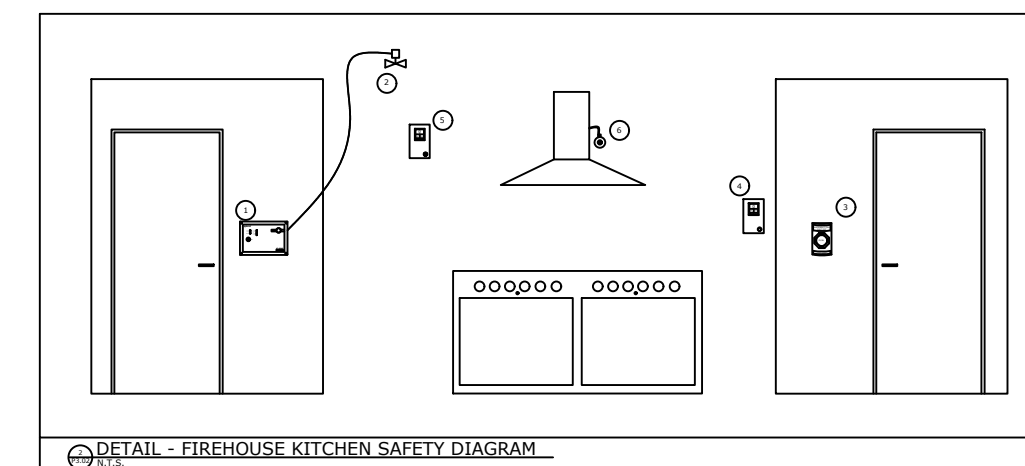
- PROVIDE GAS CONTROL PANEL WITH 110V OUTPUT TO GAS VALVE. MOUNT PANEL SUCH THAT THE BOTTOM EDGE IS 500 ± 4.1" (12650) FROM FINISH FLOOR AND TRIM PANEL SHALL RECEIVE INPUTS FROM REMOTE PANIC BUTTON, FIRE ALARM AND BELLRING ANNUNCIATION PANEL. GAS DETECTOR TO LOGIC OR ANNUNCIATE BY WIRELESS. GAS SHALL SHUT DOWN RANGE. FIRE ALARM AND ANNUNCIATION CONTROL. BASIS OF DESIGN CGS MERLIN 1000Si
- PROVIDE 110V 0-2PSI NORMALLY CLOSED SAFETY SHUT OFF VALVE. MOUNT IN CEILING AS SHOWN ON DRAWINGS. PREVENT INDOOR AND EXHAUST VALVES FOR OUTDOOR EXHAUST. GAS VALVE TO BE CONTROLLED BY GAS CONTROL PANEL 110V OUTPUT. BASIS OF DESIGN CGS 500
- WHERE SHOWN ON DRAWINGS PROVIDE TRIP RELEASE REMOTE PANIC BUTTON WITH RED BUTTON IN A YELLOW POLYCARBONATE CASE. PROVIDE BUTTON WITH CLEAR LIFT UP OF COVER. BUTTON SHALL BE LABELED "EMERGENCY SHUT OFF" AND REMOTE BUTTON IN RED ELECTRICAL BOX AT 48" ± 0.1" FROM BOTTOM BACK TO GAS CONTROL PANEL VIA 1/2" JAMMED CABLE IN A NORMALLY CLOSED LOOP. WIRE ADDITIONAL BUTTONS IN SERIES. BASIS OF DESIGN CGS 500P



- PROVIDE GAS CONTROL PANEL WITH 110V OUTPUT TO GAS VALVE. MOUNT PANEL SUCH THAT THE BOTTOM EDGE IS 500 ± 4.1" (12650) FROM FINISH FLOOR AND TRIM PANEL SHALL RECEIVE INPUTS FROM REMOTE PANIC BUTTON, FIRE ALARM AND BELLRING ANNUNCIATION PANEL. GAS DETECTOR TO LOGIC OR ANNUNCIATE BY WIRELESS. GAS SHALL SHUT DOWN RANGE. FIRE ALARM AND ANNUNCIATION CONTROL. BASIS OF DESIGN CGS MERLIN 1000Si
- PROVIDE 110V 0-2PSI NORMALLY CLOSED SAFETY SHUT OFF VALVE. MOUNT IN CEILING AS SHOWN ON DRAWINGS. PREVENT INDOOR AND EXHAUST VALVES FOR OUTDOOR EXHAUST. GAS VALVE TO BE CONTROLLED BY GAS CONTROL PANEL 110V OUTPUT. BASIS OF DESIGN CGS 500
- WHERE SHOWN ON DRAWINGS PROVIDE TRIP RELEASE REMOTE PANIC BUTTON WITH RED BUTTON IN A YELLOW POLYCARBONATE CASE. PROVIDE BUTTON WITH CLEAR LIFT UP OF COVER. BUTTON SHALL BE LABELED "EMERGENCY SHUT OFF" AND REMOTE BUTTON IN RED ELECTRICAL BOX AT 48" ± 0.1" FROM BOTTOM BACK TO GAS CONTROL PANEL VIA 1/2" JAMMED CABLE IN A NORMALLY CLOSED LOOP. WIRE ADDITIONAL BUTTONS IN SERIES. BASIS OF DESIGN CGS 500P
- PROVIDE CARBON MONOXIDE DETECTOR AND INTERLOCK WITH GAS CONTROL PANEL. MOUNT IN A DEEP ELECTRICAL HOUSING IN ACC. 2" UP FROM RANGE AND AWAY FROM RANGE TO BE POWERED BY GAS CONTROL PANEL VIA 1/2" JAMMED CABLE TO PROVIDE PPM DISPLAY AND A COMPONENT CALIBRATED DISPLAY. BASIS OF DESIGN CGS00P



- PROVIDE GAS CONTROL PANEL WITH 110V OUTPUT TO GAS VALVE. MOUNT PANEL SUCH THAT THE BOTTOM EDGE IS 500 ± 4.1" (12650) FROM FINISH FLOOR AND TRIM PANEL SHALL RECEIVE INPUTS FROM REMOTE PANIC BUTTON, FIRE ALARM AND BELLRING ANNUNCIATION PANEL. GAS DETECTOR TO LOGIC OR ANNUNCIATE BY WIRELESS. GAS SHALL SHUT DOWN RANGE. FIRE ALARM AND ANNUNCIATION CONTROL. BASIS OF DESIGN CGS MERLIN 1000Si
- PROVIDE 110V 0-2PSI NORMALLY CLOSED SAFETY SHUT OFF VALVE. MOUNT IN CEILING AS SHOWN ON DRAWINGS. PREVENT INDOOR AND EXHAUST VALVES FOR OUTDOOR EXHAUST. GAS VALVE TO BE CONTROLLED BY GAS CONTROL PANEL 110V OUTPUT. BASIS OF DESIGN CGS 500
- WHERE SHOWN ON DRAWINGS PROVIDE TRIP RELEASE REMOTE PANIC BUTTON WITH RED BUTTON IN A YELLOW POLYCARBONATE CASE. PROVIDE BUTTON WITH CLEAR LIFT UP OF COVER. BUTTON SHALL BE LABELED "EMERGENCY SHUT OFF" AND REMOTE BUTTON IN RED ELECTRICAL BOX AT 48" ± 0.1" FROM BOTTOM BACK TO GAS CONTROL PANEL VIA 1/2" JAMMED CABLE IN A NORMALLY CLOSED LOOP. WIRE ADDITIONAL BUTTONS IN SERIES. BASIS OF DESIGN CGS 500P
- PROVIDE CARBON MONOXIDE DETECTOR AND INTERLOCK WITH GAS CONTROL PANEL. MOUNT IN A DEEP ELECTRICAL HOUSING IN ACC. 2" UP FROM RANGE AND AWAY FROM RANGE TO BE POWERED BY GAS CONTROL PANEL VIA 1/2" JAMMED CABLE TO PROVIDE PPM DISPLAY AND A COMPONENT CALIBRATED DISPLAY. BASIS OF DESIGN CGS00P
- PROVIDE REMOTE GAS DETECTOR AND INTERLOCK WITH GAS CONTROL PANEL. MOUNT ON A DEEP ELECTRICAL HOUSING IN ACC. 2" UP FROM RANGE AND AWAY FROM RANGE TO BE POWERED BY GAS CONTROL PANEL VIA 1/2" JAMMED CABLE TO PROVIDE PPM DISPLAY AND A COMPONENT CALIBRATED DISPLAY. BASIS OF DESIGN CGS00P



- PROVIDE GAS CONTROL PANEL WITH 110V OUTPUT TO GAS VALVE. MOUNT PANEL SUCH THAT THE BOTTOM EDGE IS 500 ± 4.1" (12650) FROM FINISH FLOOR AND TRIM PANEL SHALL RECEIVE INPUTS FROM REMOTE PANIC BUTTON, FIRE ALARM AND BELLRING ANNUNCIATION PANEL. GAS DETECTOR TO LOGIC OR ANNUNCIATE BY WIRELESS. GAS SHALL SHUT DOWN RANGE. FIRE ALARM AND ANNUNCIATION CONTROL. BASIS OF DESIGN CGS MERLIN 1000Si
- PROVIDE 110V 0-2PSI NORMALLY CLOSED SAFETY SHUT OFF VALVE. MOUNT IN CEILING AS SHOWN ON DRAWINGS. PREVENT INDOOR AND EXHAUST VALVES FOR OUTDOOR EXHAUST. GAS VALVE TO BE CONTROLLED BY GAS CONTROL PANEL 110V OUTPUT. BASIS OF DESIGN CGS 500
- WHERE SHOWN ON DRAWINGS PROVIDE TRIP RELEASE REMOTE PANIC BUTTON WITH RED BUTTON IN A YELLOW POLYCARBONATE CASE. PROVIDE BUTTON WITH CLEAR LIFT UP OF COVER. BUTTON SHALL BE LABELED "EMERGENCY SHUT OFF" AND REMOTE BUTTON IN RED ELECTRICAL BOX AT 48" ± 0.1" FROM BOTTOM BACK TO GAS CONTROL PANEL VIA 1/2" JAMMED CABLE IN A NORMALLY CLOSED LOOP. WIRE ADDITIONAL BUTTONS IN SERIES. BASIS OF DESIGN CGS 500P
- PROVIDE CARBON MONOXIDE DETECTOR AND INTERLOCK WITH GAS CONTROL PANEL. MOUNT IN A DEEP ELECTRICAL HOUSING IN ACC. 2" UP FROM RANGE AND AWAY FROM RANGE TO BE POWERED BY GAS CONTROL PANEL VIA 1/2" JAMMED CABLE TO PROVIDE PPM DISPLAY AND A COMPONENT CALIBRATED DISPLAY. BASIS OF DESIGN CGS00P
- PROVIDE REMOTE GAS DETECTOR AND INTERLOCK WITH GAS CONTROL PANEL. MOUNT ON A DEEP ELECTRICAL HOUSING IN ACC. 2" UP FROM RANGE AND AWAY FROM RANGE TO BE POWERED BY GAS CONTROL PANEL VIA 1/2" JAMMED CABLE TO PROVIDE PPM DISPLAY AND A COMPONENT CALIBRATED DISPLAY. BASIS OF DESIGN CGS00P
- PROVIDE AIR DIFFERENTIAL SWITCH INTERLOCKED WITH GAS CONTROL PANEL. GAS TO BE IN SUPPLY WHEN IN A NORMAL POSITION. DIFFERENTIAL SWITCH SIGNAL OUTPUT WIRE TO GAS CONTROL PANEL VIA 1/2" JAMMED NORMALLY CLOSED WIRE CONTACT CLAMP SHOWN TO BE IN SUPPLY. DIFFERENTIAL SWITCH SIGNAL OUTPUT WIRE TO GAS CONTROL PANEL VIA 1/2" JAMMED NORMALLY CLOSED WIRE CONTACT LOOP. BASIS OF DESIGN CGS00S